



20W to 80W
SSPB-S2100K™ series



Features

- Converts L-Band to Ku-Band (see table A)
- Integrated amplifier with an output power of 20W to 80W (see table A)
- Phase-locked oscillator to external 10MHz reference
- High linearity (low intermodulation products)
- Built-in Receive Reject Filter
- Remote Monitor & Control
- Protection against thermal runaway and out-of-lock conditions
- Built-in power supply
- Light weight
- Weatherproof package
- Compact packaging
- CE Marking

Overview

The SSPB-S2100K™ series are hub-mount up-converter transmitters, operating in the Ku-Band. The SSPB-S2100K™ is an integrated unit, complete with power supply, phase-locked oscillator, mixer, filter and cooling mechanism. Intended for outdoor operation, the SSPB-S2100K™ provides the utmost in convenience and efficiency. Other SSPB's are also available for higher powers or for operation at other up-link frequencies.

The design of these units is based on ADVANTECH AMT™ industry proven reliable solid-state high power amplifiers. The use of high efficiency power supply and conservative thermal designs contribute to the trouble-free operation of the amplifier. Built-in microprocessor controller provides the capability for serial port interfaces (RS232/485) for remote monitoring and control.

Application

The SSPB-S2100K™ series convert an L-Band signal to the Ku-band frequency (see table A). Designed for Ku-Band satellite up-link applications, the SSPB K series are available in output power from 8W to 500W. The SSPB-S2100K™ series are fully integrated units from 20W to 80W output power designed for mounting outdoors, near the hub of an antenna.

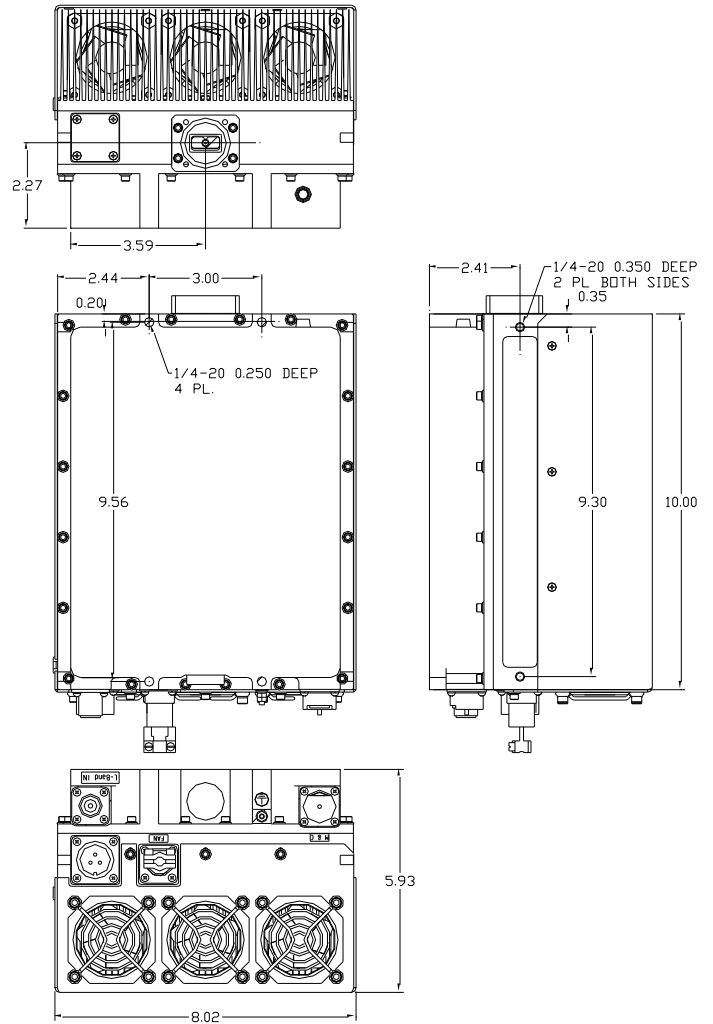


Table A

Band	RF Band (GHz)	IF Band (MHz)	Output Power W	LO (GHz)
KS	14.00 – 14.50	950 - 1450	20-80	13.05
KX	13.75 – 14.5	950 - 1700	20 -80	12.8

*Other frequency sub-bands are available. Please consult factory.

Accessories

- Remote M&C panel (Ethernet port optional)
- Handheld terminal
- Boom mounting kit

Compact Ku-Band Hub-mount SSPB

Technical Specifications	20W	25W	30W	40W	50W	60W	80W
Electrical Characteristics							
KS	√	√	√	√	√	√	√
KX	√	√	√	√	√	√	√
Output power (P _{SAT}) typ. dBm	43	+44	+45	+46	+47	+48	+49
Output power (P _{1dB}) min dBm	+42	+43	+44	+45	+46	+47	+48
Conversion gain @ maximum setting	63 dB	64 dB	65 dB	+66 dB	67 dB	68 dB	69 dB
Gain adjustment range	20 dB min						
Input/Output frequency range	See table A on front page						
Max input power without damage	+10 dBm						
Gain flatness	3.0 dB p-p , max over full band, 1 dB p-p dB/40 MHz						
Gain variation over temperature	±1.5 dB over full operating range						
Gain variation over 24 hours	±0.25 dB max at constant temperature & drive level						
Input VSWR	1.5:1 dB, min						
Output VSWR	1.5:1 dB typical,						
Noise power density (NPD)	-75 dBm/Hz in TX band -135 dBm/Hz in RX band						
Spurious at rated power	-55 dBc, max						
AM/PM conversion	3°/dB typical (at P _{1dB})						
Third order IMD (2 tones)	-25 dBc, max at 3 dB back-off from P _{1dB}						
Local Oscillator frequency (LO)	See table A on front page						
LO leakage	-20 dBm max						
Phase noise	-50 dBc/Hz at 10Hz		-73 dBc/Hz at 1000Hz		-93 dBc/Hz at 100 kHz		-63 dBc/Hz at 100Hz
							-105 dBc/Hz at 1 MHz
Group delay (over any 40 MHz):	Linear	0.02 ns /MHz, max					
	Parabolic	0.003 ns/MHz ² , max					
	Ripple	1 nsec p-p, max					
External reference							
Reference frequency	10 MHz						
Reference frequency phase noise	-115 dBc/Hz at 10 Hz		-155 dBc/Hz at 10 kHz		-135 dBc/Hz at 100 Hz		-160 dBc/Hz at 100 kHz
							-148 dBc/Hz at 1000 Hz
Reference frequency level	0 dBm ± 5 dB supplied via input L-Band cable						
Power Requirements							
Input voltage	110 /220V AC (47-63 Hz) auto-ranging (90-132 V / 180-264 V) 24-35V DC or 40-60V DC						
Power consumption (max)	250W	270W	300W	400W	450W	550W	700W
Mechanical Characteristics							
Dimensions (L x W x H)	10" x 8" x4.8" (254 x 203 x 114 mm)			DC 13" x 8" x4.8" (330 x 203 x 114 mm) AC 13" x 8" x5.2" (330 x 203 x 132 mm)			
Weight	14.4 lbs (6.5 kg)			18 lbs. (8.2 kg)			
Interfaces:	RF input	Type N (optional SMA)			AC Line	MS3102R16-10P	
	RF output	WR-75 contact	RS-485/RS232	MS3112E12-10P	DC Line	MS3102R16-10PX	
Environmental Conditions							
Temperature:	Operating	-30°C to +55°C; Option: -40°C to +55°C;					
	Storage	-55°C to +85°C					
Humidity	100%, condensing (2" rain/hour)						
Altitude	10,000' AMSL, de-rated 2°C/1,000' from AMSL						

NORTH AMERICA
USA
Tel: +1 703 659 9796
Fax: +1 703 635 2212
info.usa@advantechwireless.com

CANADA
Tel: +1 514 420 0045
Fax: +1 514 420 0073
info.canada@advantechwireless.com

EUROPE
UNITED KINGDOM
Tel: +44 1480 357 600
Fax: +44 1480 357 601
info.uk@advantechwireless.com

RUSSIA & CIS
Tel: +7 495 971 59 18
info.russia@advantechwireless.com

INDIA
Tel: +91 33 2415 5922
info.india@advantechwireless.com

SOUTH AMERICA
Tel: +1 514 420 0045
Fax: +1 514 420 0073
info.latam@advantechwireless.com

BRAZIL
Tel: +55 11 3054 5701
Fax: +55 11 3054 5701
info.brazil@advantechwireless.com

An ISO 9001 : 2008 Company



Ref.: PB-SSPBm-Ku-20-80-13150